

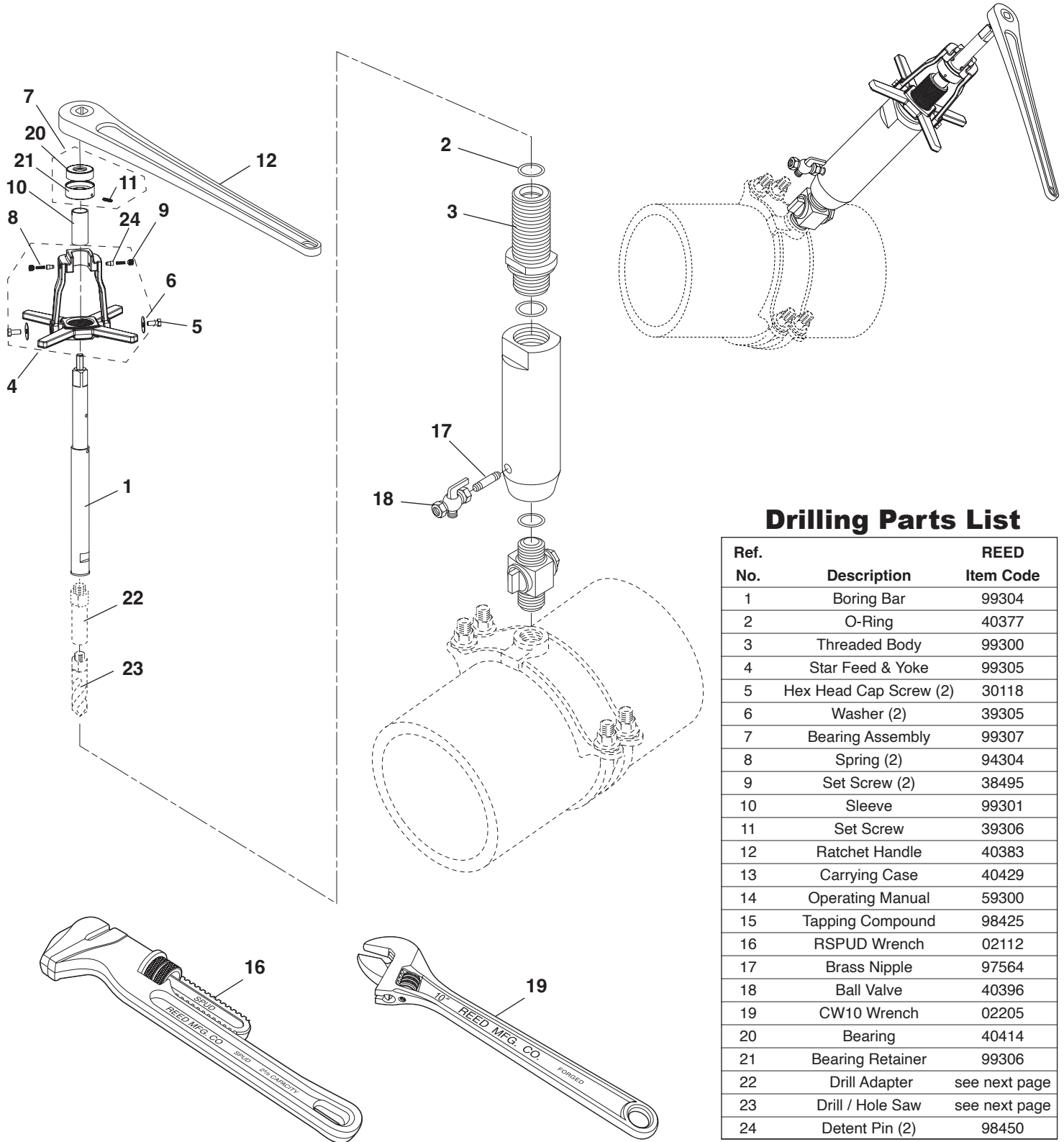


PIPE TOOLS & VISES
SINCE 1896

DM1100 & DM2100 Drilling Machine

Replacement Parts

Applies to: 09301, 09302, 09305, 09308,
09312, 09315, 09317, 09318, 09321



Drilling Parts List

Ref. No.	Description	REED Item Code
1	Boring Bar	99304
2	O-Ring	40377
3	Threaded Body	99300
4	Star Feed & Yoke	99305
5	Hex Head Cap Screw (2)	30118
6	Washer (2)	39305
7	Bearing Assembly	99307
8	Spring (2)	94304
9	Set Screw (2)	38495
10	Sleeve	99301
11	Set Screw	39306
12	Ratchet Handle	40383
13	Carrying Case	40429
14	Operating Manual	59300
15	Tapping Compound	98425
16	RSPUD Wrench	02112
17	Brass Nipple	97564
18	Ball Valve	40396
19	CW10 Wrench	02205
20	Bearing	40414
21	Bearing Retainer	99306
22	Drill Adapter	see next page
23	Drill / Hole Saw	see next page
24	Detent Pin (2)	98450

Reed Manufacturing
1425 West 8th Street
Erie, PA 16502 USA

QUALITY
&Service
that Last a Lifetime

Phone: 800-666-3691 or +1 814-452-3691
reedsales@reedmfgco.com
www.reedmfgco.com

RP-0625-91
See also 59305



PIPE TOOLS & VISES
SINCE 1896

DM1100 & DM2100 Drilling Machine

Replacement Parts



DM1100/DM2100/DMBASE Necessary Accessories

	DESCRIPTION	CATALOG NO.	ITEM CODE
Options For #22	Drill Adapters		
	** Drill Adapter 3/4"	DMDA75	98461
	** Drill Adapter 1"	DMDA100	98462
	*** Hole Saw Adapter	DMHSA	08413
	Drill Adapter - PVC	DMAPVC	94150
Options For #23	Drills/Hole Saws		
	11/16" Drill	D688	04380
	7/8" Drill	D875	04381
	15/16" Drill	D938	04382
	1-7/16" Hole Saw	HDHS1438	04354
	1-3/4" Hole Saw	HDHS1750	04355
	1-7/8" Hole Saw	HDHS1875	04356
	1/4" Pilot Drill	HSPD	04561
	11/16" Shell Cutter	PL688	04385
	7/8" Shell Cutter	PL875	04386
	1-7/16" Shell Cutter	PL1438	04387
	1-3/4" Shell Cutter	PL1750	04392
		Corp Stop Adapters	
	** 3/4" AWWA Corp Adapter	DMCA75	08423
	** 1" AWWA Corp Adapter	DMCA100	08424
	*** 1-1/2" AWWA Corp Adapter	DMCA150	08425
	*** 2" AWWA Corp Adapter	DMCA200	08426
	1-1/2" NPT Corp Adapter	DMCA150NPT	08428
	2" NPT Corp Adapter	DMCA200NPT	08429
	Miscellaneous		
	3/4" NPT to AWWA Converter	DM75CONV	98472
	1" NPT to AWWA Converter	DM100CONV	98473
	Power Drive Adapter	TMPDA	08430
	Magnetic Coupon Retainer Set, 3/8"	MCR3/8	08358
	Magnetic Coupon Retainer Set, 1/4"	MCR1/4	08359
	** Coupon Retaining Drill Bit	CRPD25	99129

** Standard with DM1100 & DM2100 machines

*** Standard with DM2100 machines