

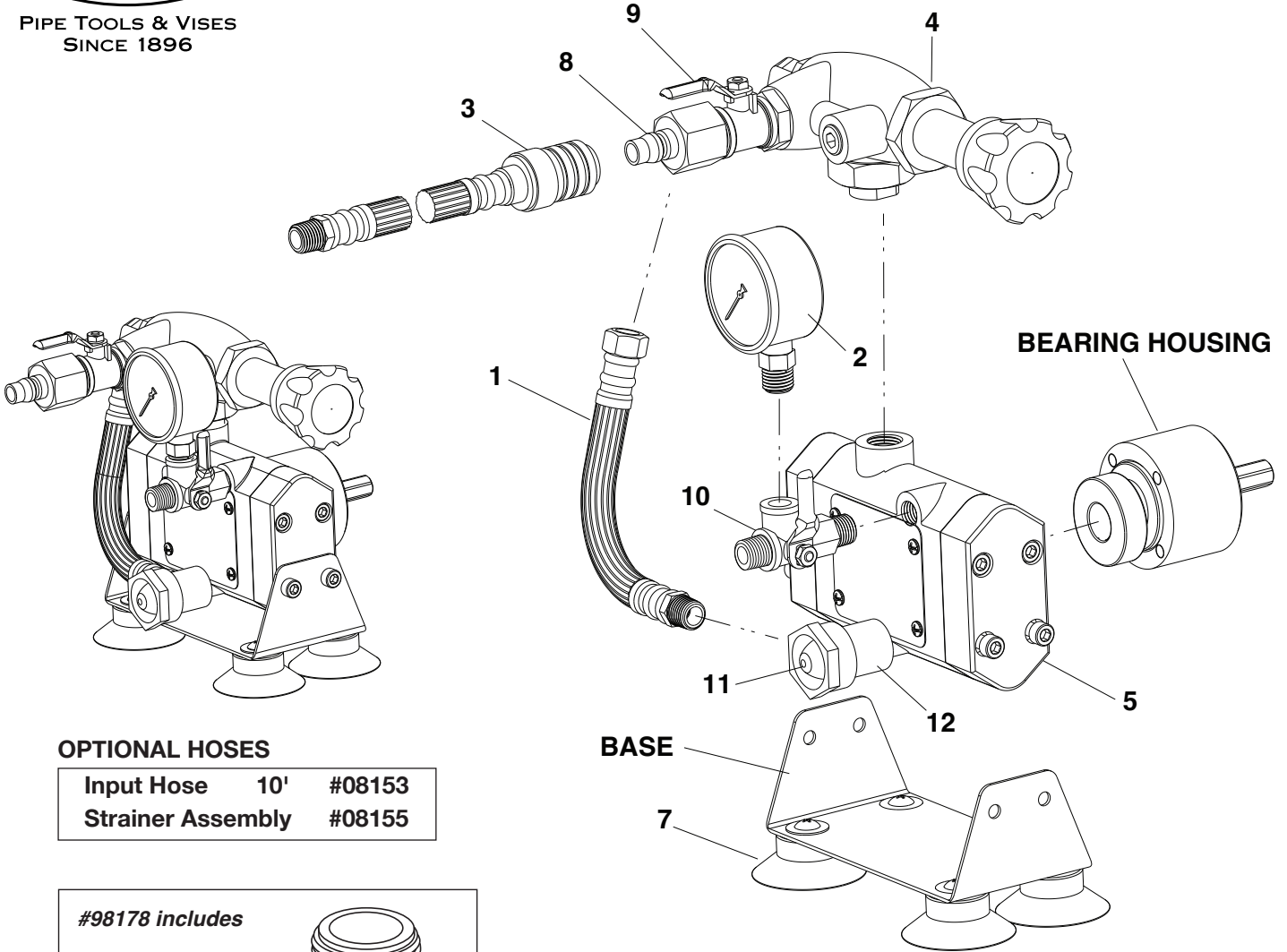


PIPE TOOLS & VISES
SINCE 1896

Drill Powered Test Pump - DPHTP500

Applies to: 08177, 08179

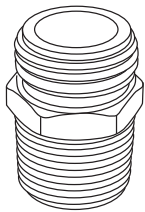
Replacement Parts



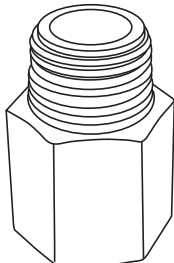
OPTIONAL HOSES

Input Hose	10'	#08153
Strainer Assembly		#08155

#98178 includes



EHTPANPT



EHTPABSPT

To use the pump with BSPT hose threads, add 98178. These parts are included in #08179 DPHTP500E export model.

#98181 Seal Kit



6

Parts List

Ref. No.	Description	Item Code	Qty. Used
1	Bypass Hose	48183	1
2	Pressure Gauge	48185	1
3	High Pressure Output Hose	08172	1
4	Regulator Assembly	48189	1
5	Pump Assembly	48188	1
6	Seal Kit	98181	1
7	Pump Feet	48190	4
8	1/2" Male Quick Connect	48200	1
9	1/2" High Pressure Valve	48201	1
10	3-Way Valve	48202	1
11*	Hose Washer/Screen	98180	1
12	Intake Hose Fitting	48204	1

*Sold in packs of 3 screens / priced per pack.